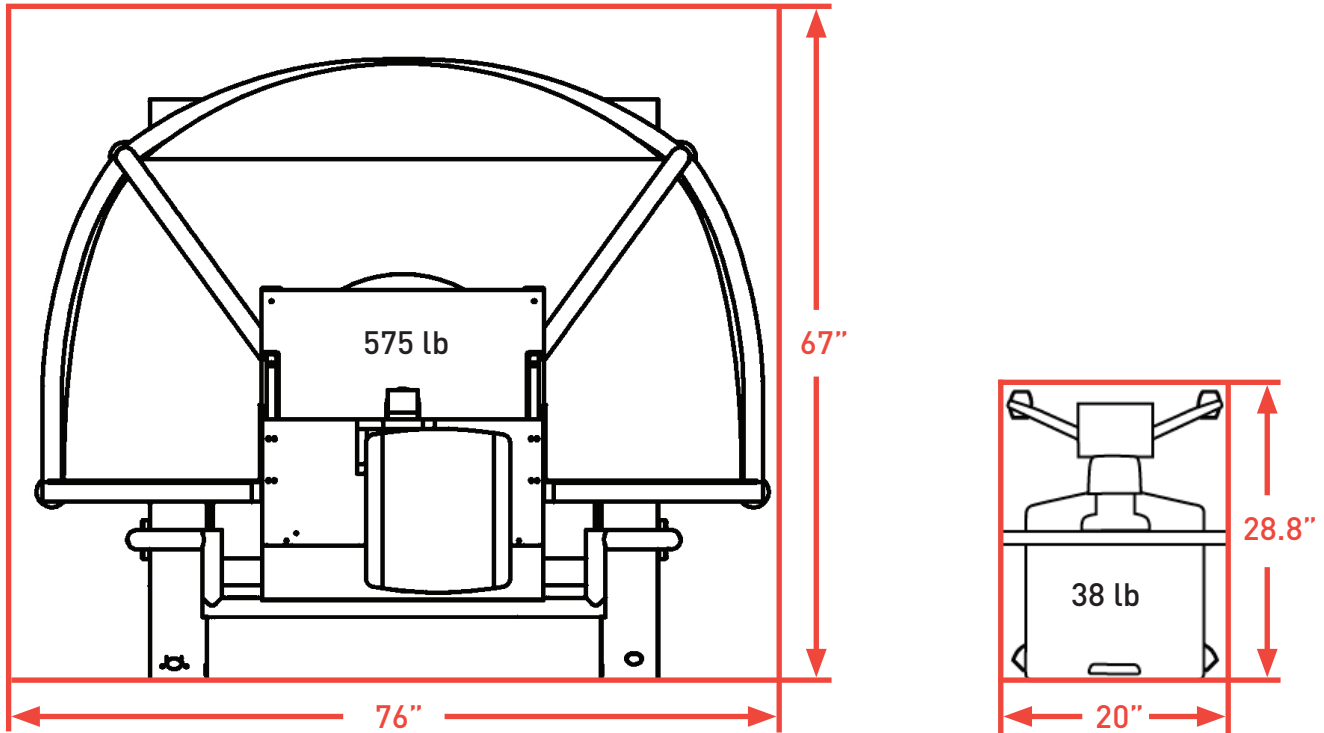


Bertec® Balance Advantage®

Site Specifications: Dynamic CDP System



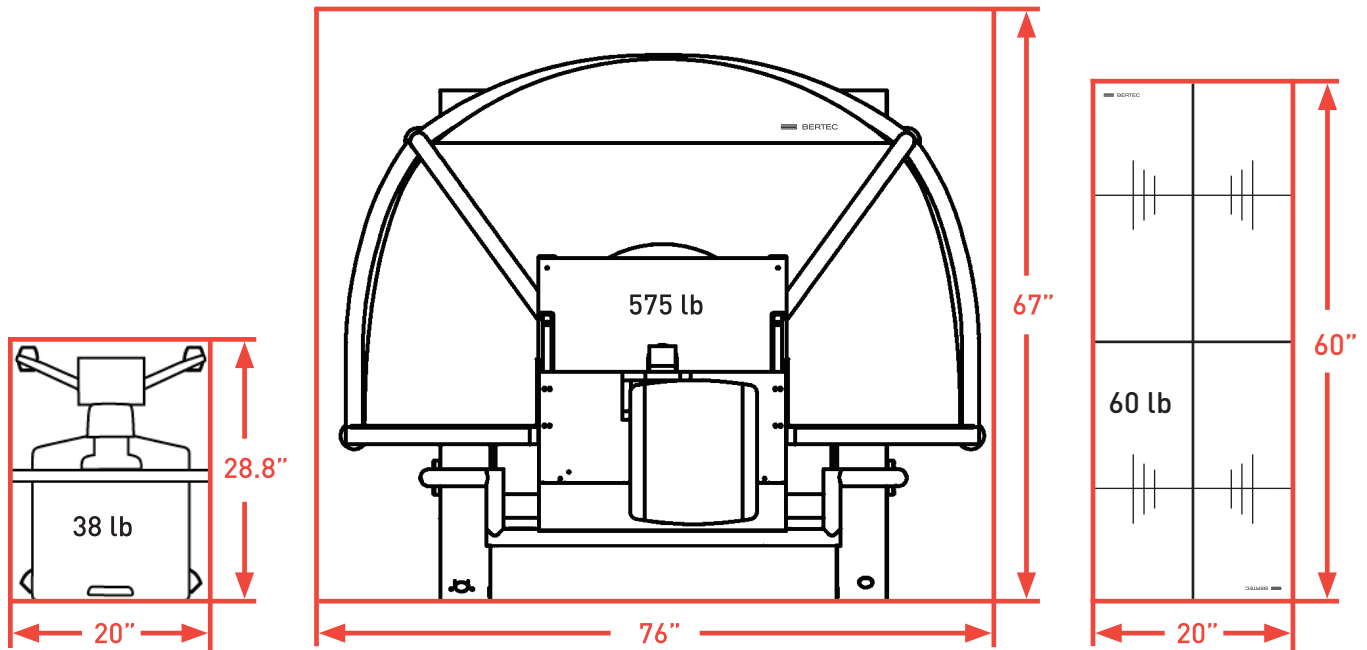
BERTEC



Dimensions	Dynamic CDP system: 76" x 67" x 102" (W x L x H)
	Clinician workstation: 20" x 28.8" x 68.5" (W x L x H)
Operating Environment	Typical indoor, climate controlled office, clinic, laboratory, hospital, or similar environment
Lighting Conditions	Recommended that the unit is not placed in direct path of natural sunlight or near windows without shades. Make sure that lighting in the room or immediately surrounding the system is on a separate circuit and can be dimmed or turned off when the unit is in use.
Minimum Ceiling Height	102"
Minimum Door Size	Width: 35"
	Height: 84"
Electrical Requirements	Dedicated 110V 20 Amp outlet/power source

Bertec® Balance Advantage®

Site Specifications: Dynamic CDP System with Functional Plate



Dimensions	Dynamic CDP system: 76" x 67" x 102" (W x L x H)
	Clinician workstation: 20" x 28.8" x 68.5" (W x L x H)
	Functional Plate: 20" x 60" x 1.5" (W x L x H)
Operating Environment	Typical indoor, climate controlled office, clinic, laboratory, hospital, or similar environment
Lighting Conditions	Recommended that the unit is not placed in direct path of natural sunlight or near windows without shades. Make sure that lighting in the room or immediately surrounding the system is on a separate circuit and can be dimmed or turned off when the unit is in use.
Minimum Ceiling Height	102"
Minimum Door Size	Width: 35"
	Height: 84"
Electrical Requirements	Dedicated 110V 20 Amp outlet/power source