

RAS Remote Audiology System



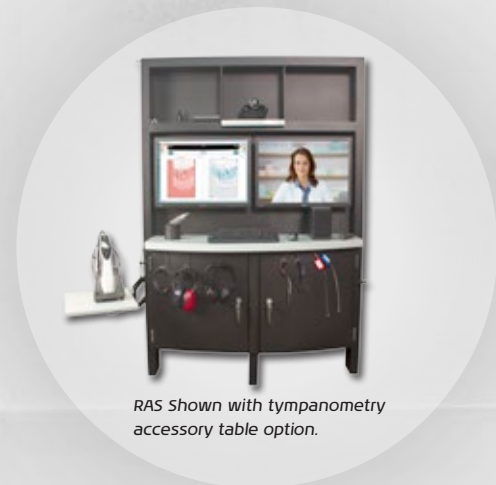
**Image view of practitioner conducting a test*




Remote Diagnostics & Fitting

Extend your geographical reach and see more patients with less travel.

- Telehealth meets audiology
- Configure RAS your way
- Audiometry, fitting REM/VSP, impedance



RAS Shown with tympanometry accessory table option.



Interacoustics your trusted partner in audiology & hearing aid fitting

Company vision

Maintain our leading position as the most trusted company in the field of audiological instrumentation; to measure that success by the number of satisfied end-users and to be the brand of choice within audiology.

Deliver diagnostic test and balance equipment that meets the highest expectations of hearing healthcare professionals working in audiological assessment and hearing rehabilitation.

Be skillful and effective partners for our worldwide network of distributors and, through this partnership, assemble products, accessories, service, training and documentation into solutions of the highest quality

Company values

Common sense: While striving to be the world's preferred supplier in our industry, we maintain a humble and straightforward way of working.

Cooperation and communication: People make the difference. Especially when they cooperate on the merits of mutual respect, communicate clearly, and provide honest feedback to each other.

Innovation and responsiveness: No matter how well we perform or advance, improvement is part of our daily practice.

Unparalleled support team

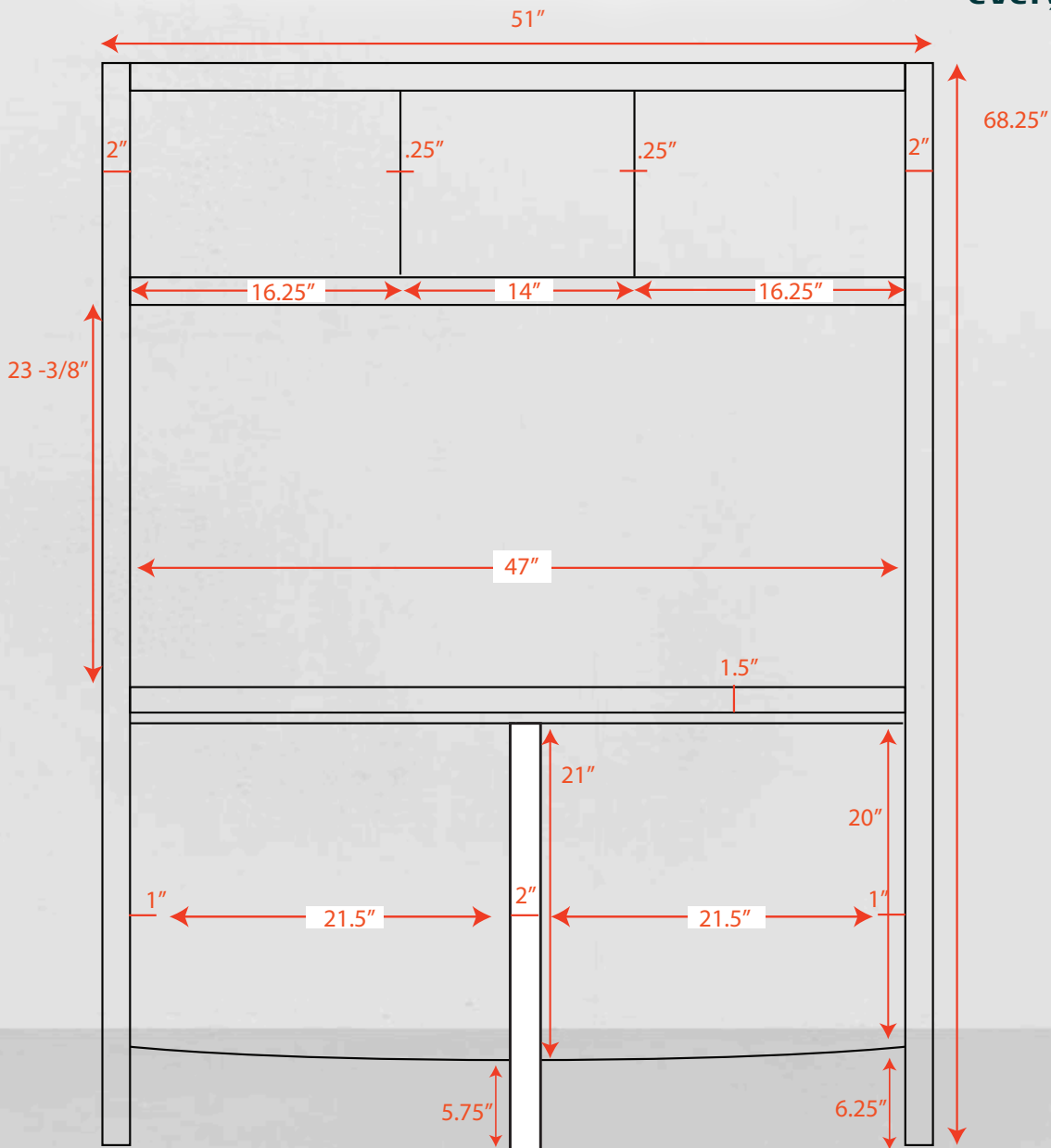
Interacoustics is proud to be represented by the most experienced and tenured field team in the nation. The RAS TeleAudiology is a turnkey solution. From install, protocol set up, to staff training, your business will extend its geographical reach and allow the benefits to begin.

Unparalleled quality

Interacoustics devices meet the highest quality standards and field testing of any brand available. The RAS system components have passed the toughest Government concept testing, proving test/retest results are accurate and verifiable.

RAS cabinet configuration

The RAS provides a footprint that will comfortably fit into even the smallest test room while creating a professional appearance to make every patient at ease.



Depth of counter: 12.25" - 16.25" curve
 Backplate: 46.75" w x 23.5" h
 HIT shelf: 15" w x 14" d
 HIT open: 12.5" h
 Camera shelf depth: 6.5" - 7" curve

Side of unit: Black beam is 5" deep
 Hat track: 7.5" h
 REM approx: 14.5" x 17"
 Arms extend out to side: max 26"

Configure RAS your way Audiometry, fitting REM/VSP, impedance

RAS *Deluxe* with Equinox^{2.0} audiometer/REM:

- Equinox^{2.0} hardware
- Computer, keyboard and mouse
- REM440 REM software
- VSP440 software
- REM speaker
- AC440 audiometer software (including: Counseling screens, ISF440 word list CD, Wave Files, QuickSIN, Bekesy, SISI, Binaural Speech, Langenbeck, HLS, MHA, MLD, TEN test)
- Video Oscope
- DD450 headphones
- EAR tone 3A audiometric insert phones
- B71 bone conductor complete
- EM400 talkback mic
- MTH400m monitor mic headset
- Patient response switch
- Wall mount kit
- Test battery
- Includes cabinet
- Patch cords & power cable

RAS *Mini* with the Equinox^{2.0} audiometer:

- Equinox^{2.0} hardware
- Computer, keyboard and mouse
- AC440 audiometer software module (including: Counseling screens, ISF440 word list CD, Wave Files, QuickSIN, Bekesy, SISI, Binaural Speech, Langenbeck, HLS, MHA, MLD, TEN test)
- Video Oscope
- DD450 headphones
- EAR tone 3A audiometric insert phones
- B71 bone conductor complete
- EM400 talkback mic
- MTH400m monitor mic headset
- Patient response switch
- Wall mount kit
- Test battery
- Includes cabinet
- Patch cords & power cable

RAS with the Titan tympanometer (optional)

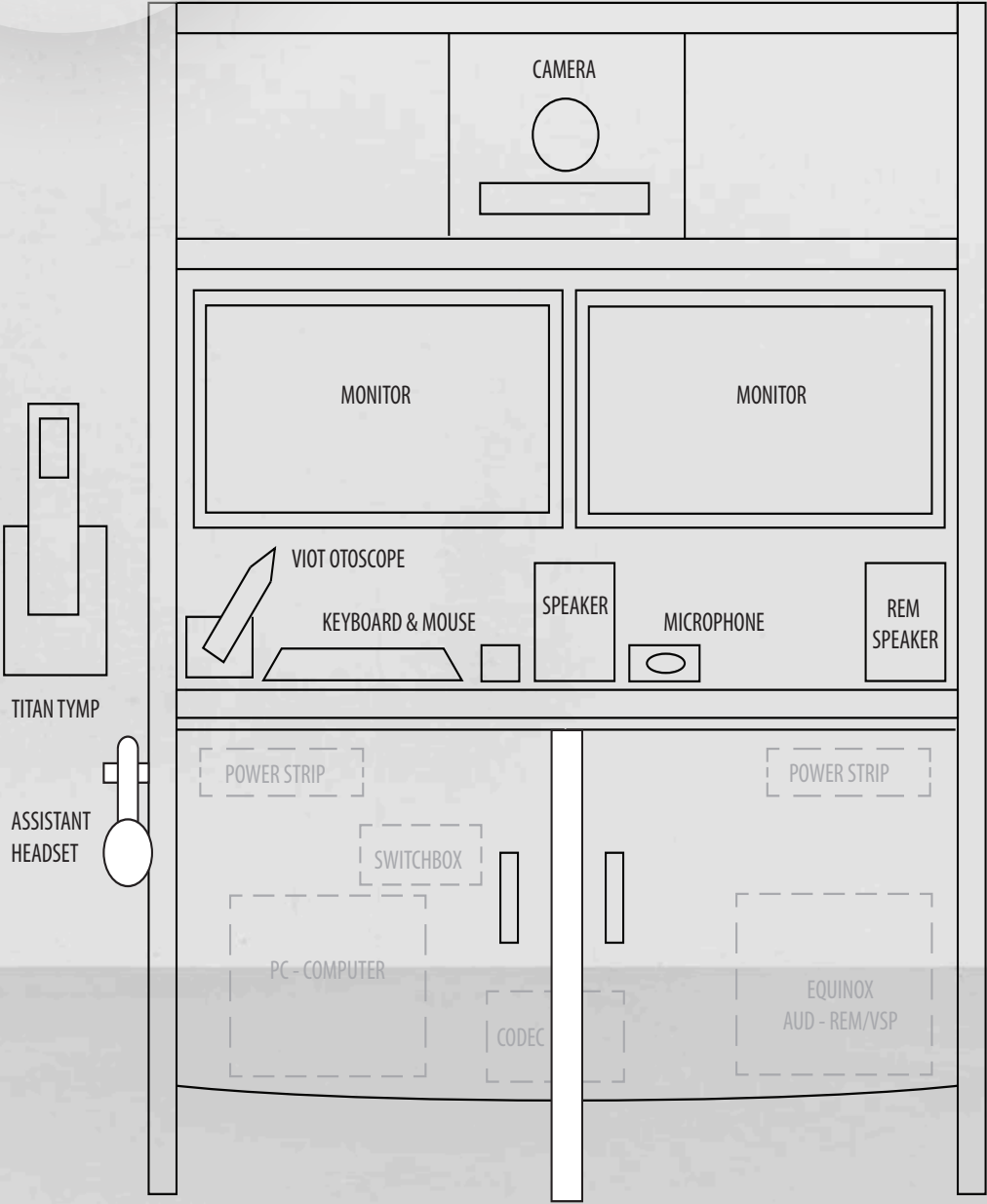
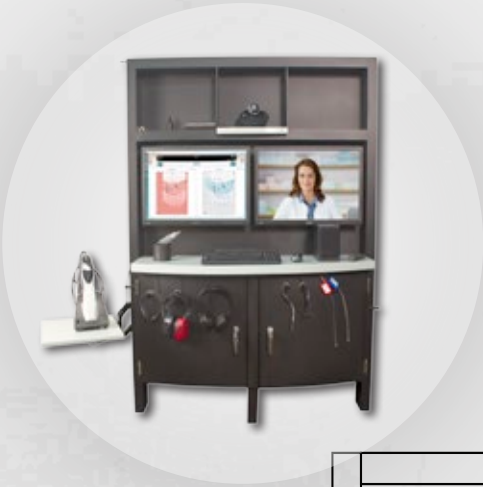
- Titan hardware
- Titan tympanometry software
- Ipsi/contra acoustic reflexes
- Reflex decay & 3 ETF tests
- OtoAccess™ database
- Charging stand and wall mount
- USB cable
- Power supply & carrying case
- 2 rechargeable lithium batteries
- 4 cavities (0.2, 0.5, 2 and 5cc)
- Probe extension cable
- EAR tone 3A Insert phone
- Report writing and print wizard report software
- Ear tip kit
- Includes Cabinet

Cabinet features:

- 100% metal construction
- Cable management features
- Bolt-on rear access panel
- Accommodates dual displays up to 24" each
- Two 24" monitors
- Integrated universal screen mount system
- Anti-microbial powder coated finish
- Integrated videoconferencing
- Camera platform
- Conference camera with remote
- Room communication speaker
- Cable and accessories
- 2 Surge protector power strip
- 2 Locking front doors
- Adjustable headphone/accessory door hooks
- Perforated cabinet for ventilation
- Shelves for disposables
- Dimensions: 68.25" x 51" x 16.25" (H x W x D)



Layout shown
with optional Titan
Typanometry



58"



Innovative diagnostic solutions

Equinox^{2.0}

This is much more than a computer based audiometer, the Equinox^{2.0} is a full counselling and reporting solution. As new audiometric tests appear they will become available. This makes the Equinox^{2.0} transition through advances in audiology and computer technology. Two-channel audiometer with built in amplifier allowing up to three insert or headphone systems. Equinox^{2.0} is a rare clinical audiometer capable of REM/VSP and optional HIT.



NOAH -
various clinic
management
software and
AudBase

Titan Tympanometry (optional)

Featuring the world's bestselling tympanometry system. Titan shown with the durable easy to use Clinical Cable. Expand the test capabilities.



Computer - camera and communication

The ConferenceCam comprises a spherical HD webcam that can either nestle in a recess in the base unit or protrude on an 'eye-level' stand: ... There are various camera and audio controls on the speakerphone base, which are also replicated on the supplied remote control and make the connection to multiple video conferencing software simple.

Viot™ Video otoscopy

Easy to use USB connection provides a secure and safe model to verify condition of ear canal and attach the documentation direct to the patient record. The Viot™ Video Otoscope is helpful in contrasting a clean ear canal and normal eardrum with an ear drum and canal having excessive cerumen, foreign bodies, external otitis, PE Tube status, cholesteatoma, TM perforations or other abnormalities.

TBS10 HIT BOX (optional)

TBS10 HIT system delivers a small footprint for a high performance hearing aid test box. The perfect troubleshooting solution.





Interacoustics

Interacoustics is a world leading provider of diagnostic solutions in the field of hearing and balance assessment. Since 1967 we have designed and manufactured our innovative diagnostic solutions for the world of audiology with a constant focus on providing our customers with quality, dependable products.

With you at all times

Interacoustics systems are in use in VA clinical settings throughout the USA and the Interacoustics US headquarters guarantee not only a quality product, but also direct access to our highly professional training and support service.

Read more at
interacoustics-us.com

Interacoustics USA

10393 West 70th Street
Eden Prairie, MN 55344

T +1 800 947 6334

F +1 952 903 4200

info@interacoustics-us.com
interacoustics-us.com

