

Science **made** smarter

RAS

Remote Audiology System

Extend your geographical reach and see more patients with less travel.

Telehealth meets audiology
Configure RAS your way
Audiometry, fitting REM/VSP, impedance



RAS Shown with typanometry accessory table option.



*Image view of practitioner conducting a test



Audiometry
~~~~~

Tympanometry  
~~~~~

ABR

OAE

Hearing Aid Fitting
~~~~~

Balance



The RAS provides a footprint that will comfortably fit into even the smallest test room while creating a professional appearance to make every patient at ease.

# Interacoustics your trusted partner in audiology & hearing aid fitting

## **Company vision**

Maintain our leading position as the most trusted company in the field of audiological instrumentation; to measure that success by the number of satisfied end-users and to be the brand of choice within audiology.

Deliver diagnostic test and balance equipment that meets the highest expectations of hearing healthcare professionals working in audiological assessment and hearing rehabilitation.

Be skillful and effective partners for our worldwide network of distributors and, through this partnership, assemble products, accessories, service, training and documentation into solutions of the highest quality

## **Company values**

**Common sense:** While striving to be the world's preferred supplier in our industry, we maintain a humble and straightforward way of working.

**Cooperation and communication:** People make the difference. Especially when they cooperate on the merits of mutual respect, communicate clearly, and provide honest feedback to each other.

**Innovation and responsiveness:** No matter how well we perform or advance, improvement is part of our daily practice.

## **Unparalleled support team**

Interacoustics is proud to be represented by the most experienced

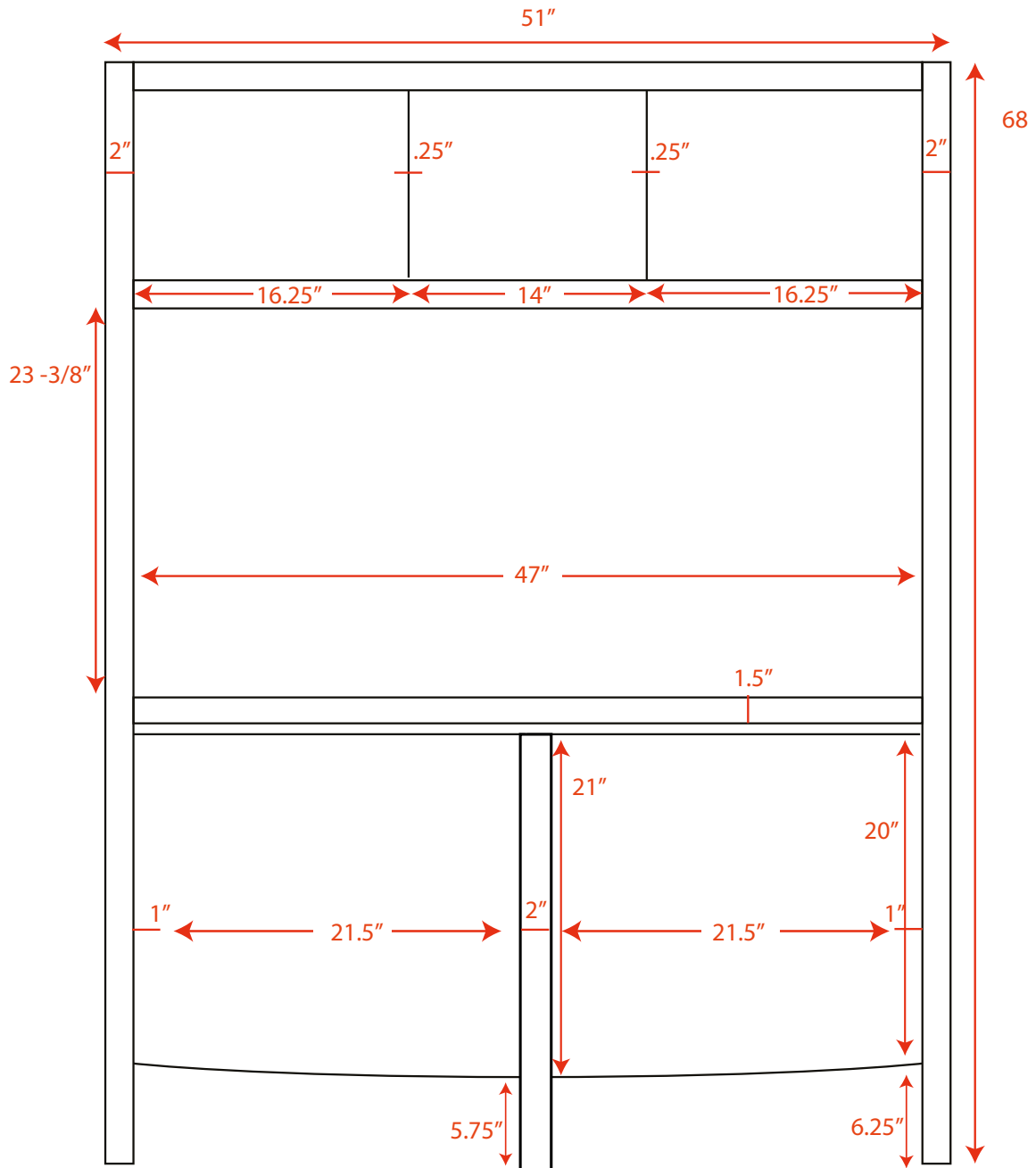
and tenured field team in the nation.

The RAS TeleAudiology is a turnkey solution. From install, protocol set up, to staff training, your business will extend its geographical reach and allow the benefits to begin.

## **Unparalleled quality**

Interacoustics devices meet the highest quality standards and field testing of any brand available. The RAS system components have passed the toughest Government concept testing, proving test/retest results are accurate and verifiable.

# RAS cabinet configuration

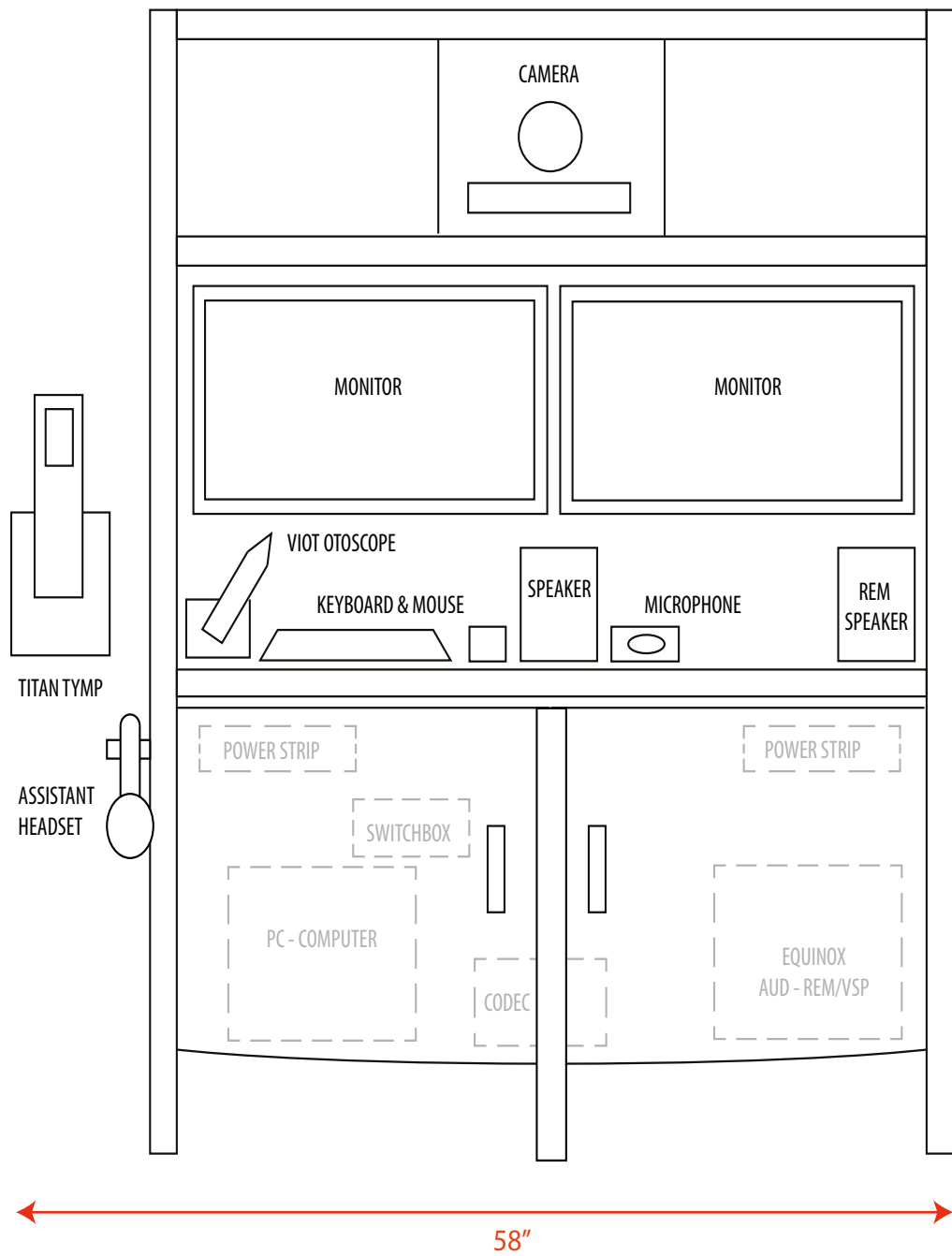


Depth of counter: 12.25" - 16.25" curve  
 Backplate: 46.75" w x 23.5" h  
 HIT shelf: 15" w x 14" d  
 HIT open: 12.5" h  
 Camera shelf depth: 6.5" - 7" curve

Side of unit: Black beam is 5" deep  
 Hat track: 7.5" h  
 REM approx: 14.5" x 17"  
 Arms extend out to side: max 26"



Layout shown  
with optional Titan  
Tympanometry



# Configure RAS your way

## Audiometry, fitting REM/VSP, impedance

### **RAS Deluxe with Equinox<sup>2.0</sup>**

#### **audiometer/REM:**

- Equinox<sup>2.0</sup> hardware
- Computer, keyboard and mouse
- REM440 REM software
- VSP440 software
- REM speaker
- AC440 audiometer software (including: Counseling screens, ISF440 word list CD, Wave Files, QuickSIN, Bekesy, SISI, Binaural Speech, Langenbeck, HLS, MHA, MLD, TEN test)
- Video Otoscope
- DD450 headphones
- EAR tone 3A audiometric insert phones
- B71 bone conductor complete
- EM400 talkback mic
- MTH400m monitor mic headset
- Patient response switch
- Wall mount kit
- Test battery
- Includes cabinet
- Patch cords & power cable

### **RAS Mini with the Equinox<sup>2.0</sup>**

#### **audiometer:**

- Equinox<sup>2.0</sup> hardware
- Computer, keyboard and mouse
- AC440 audiometer software module (including: Counseling screens, ISF440 word list CD, Wave Files, QuickSIN, Bekesy, SISI, Binaural Speech, Langenbeck, HLS, MHA, MLD, TEN test)
- Video Otoscope
- DD450 headphones
- EAR tone 3A audiometric insert phones

- B71 bone conductor complete
- EM400 talkback mic
- MTH400m monitor mic headset
- Patient response switch
- Wall mount kit
- Test battery
- Includes cabinet
- Patch cords & power cable

### **RAS TT package includes**

- Callisto™ AUD/REM/VSP
- Viot™ video otoscope
- Conference camera
- Room speaker
- Sound booth patch kit
- DD450 circumaural headset
- Assistant monitor and headset
- SEM100 Switchbox
- Room noise monitor and microphone
- Monitors

### **RAS with the Titan tympanometer (optional)**

- Titan hardware
- Titan tympanometry software
- Ipsi/contra acoustic reflexes
- Reflex decay & 3 ETF tests
- OtoAccess™ database
- Charging stand and wall mount
- USB cable
- Power supply & carrying case
- 2 rechargeable lithium batteries
- 4 cavities (0.2, 0.5, 2 and 5cc)
- Probe extension cable
- EAR tone 3A Insert phone
- Report writing and print wizard report software
- Ear tip kit
- Includes Cabinet

### **Cabinet features:**

- 100% metal construction
- Cable management features
- Bolt-on rear access panel
- Accommodates dual displays up to 24" each
- Two 24" monitors
- Integrated universal screen mount system
- Anti-microbial powder coated finish
- Integrated videoconferencing
- Camera platform
- Conference camera with remote
- Room communication speaker
- Cable and accessories
- 2 Surge protector power strip
- 2 Locking front doors
- Adjustable headphone/accessory door hooks
- Perforated cabinet for ventilation
- Shelves for disposables
- Dimensions: 68.25" x 51" x 16.25" (H x W x D)



RAS TT Remote  
Audiology System

# Innovative diagnostic solutions

## Equinox<sup>2.0</sup>

This is much more than a computer based audiometer, the Equinox<sup>2.0</sup> is a full counselling and reporting solution. As new audiometric tests appear they will become available. This makes the Equinox<sup>2.0</sup> transition through advances in audiology and computer technology. Two-channel audiometer with built in amplifier allowing up to three insert or headphone systems. Equinox<sup>2.0</sup> is a rare clinical audiometer capable of REM/VSP and optional HIT.

NOAH - various clinic management software and AudBase



**Titan tympanometry (optional)**  
 Featuring the world's bestselling tympanometry system. Titan shown with the durable easy to use Clinical Cable. Expand the test capabilities.



**TBS10 HIT box (optional)**  
 TBS10 HIT system delivers a small footprint for a high performance hearing aid test box. The perfect troubleshooting solution.



**Callisto™ AUD/REM/VSP**  
 A portable, PC-based modular system that can include both a diagnostic audiometer and full-featured real-ear measurement module (including visible speech mapping) and a hearing instrument testing module.



**Computer - camera and communication**  
 The ConferenceCam comprises a spherical HD webcam that can either nestle in a recess in the base unit or protrude on an 'eye-level' stand: ... There are various camera and audio controls on the speakerphone base, which are also replicated on the supplied remote control and make the connection to multiple video conferencing software simple.

**Viot™ Video otoscopy**  
 Easy to use USB connection provides a secure and safe model to verify condition of ear canal and attach the documentation direct to the patient record. The Viot™ Video Otoscope is helpful in contrasting a clean ear canal and normal eardrum with an ear drum and canal having excessive cerumen, foreign bodies, external otitis, PE Tube status, cholesteatoma, TM perforations or other abnormalities.



# Science made smarter

## Interacoustics is more than state-of-the-art solutions

Our mission is clear. We want to lead the way in audiology and balance by translating complexity into clarity:

- Challenges made into clear solutions
- Knowledge made practical
- Invisible medical conditions made tangible and treatable

Our advanced technology and sophisticated solutions ease the lives of healthcare professionals.

We will continue to set the standard for an entire industry. Not for the sake of science. But for the sake of enabling professionals to provide excellent treatment for their millions of patients across the globe.

[Interacoustics-us.com](http://Interacoustics-us.com)

## Interacoustics USA

10393 West 70th Street  
Eden Prairie, MN 55344

T +1 800 947 6334

F +1 952 903 4200

[info@interacoustics-us.com](mailto:info@interacoustics-us.com)

[interacoustics-us.com](http://interacoustics-us.com)

Go online to  
explore our  
full product  
range



**Interacoustics**

Audiometry  
~~~~~

Tympanometry
~~~~~

ABR

OAE

Hearing Aid Fitting  
~~~~~

Balance