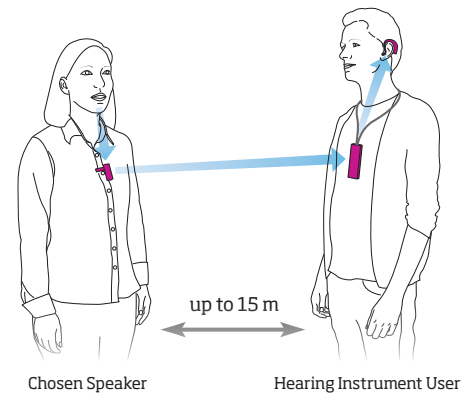


PRODUCT INFORMATION OTICON CONNECTLINE MICROPHONE

The **ConnectLine Microphone** allows Oticon hearing instrument users to receive direct input from communication partners for an improved signal-to-noise ratio in difficult listening environments. ConnectLine Microphone is especially useful in challenging situations such as noisy restaurants, lectures, communicating at a distance, at home, or in the car.



Improved signal-to-noise ratios

ConnectLine Microphone improves signal-to-noise ratios, helping instrument users navigate conversations in very demanding listening situations, which to some clients are nearly impossible today.

The improved signal-to-noise ratio is achieved from a combination of having the ConnectLine Microphone placed close to the chosen speaker coupled with an advanced dual microphone setup which reduces surrounding noise.

Typical applications for the ConnectLine Microphone are known problem areas for existing hearing instrument users: in a car, at a restaurant, or at lectures.

An integral part of ConnectLine

The ConnectLine Microphone is an integral part of the ConnectLine system, making daily use as straightforward as with any other ConnectLine solution.

The ConnectLine Microphone is controlled from either the Streamer or the Microphone.

While using the ConnectLine Microphone, the hearing instrument user is also notified of incoming phone calls which the user can answer (or reject) with the push of a button on the Streamer. (Requires a Bluetooth enabled cell phone and/or ConnectLine Phone adaptor.)

Versatility in daily use

The ConnectLine Microphone has been specifically designed for versatile daily use, with a variety of ways to attach the microphone to the chosen speaker.

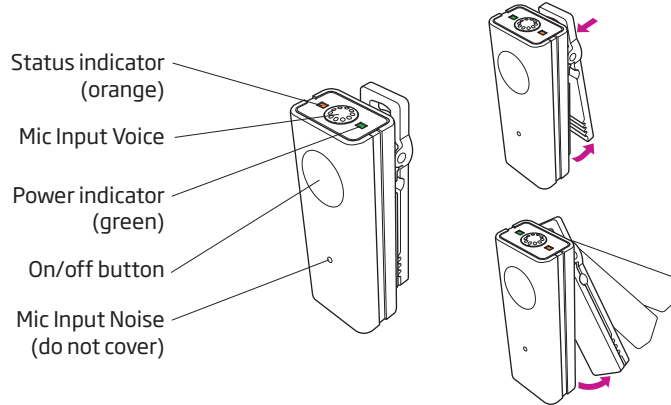
The integrated clip can be adjusted so that the ConnectLine Microphone can be placed on practically any type of clothing.

A small pouch provides for storage and protection of the ConnectLine Microphone when not in use.



Included accessories

- Power adaptor for charging
- Soft carrying pouch
- Lanyard



Technical data MIC-110	
Dimensions	46 x 17,3 x 16,5 mm
Weight	13 g
Power supply for charging	Wall adapter, 5V DC. (included)
Battery life	Typically 5 hours constant talk time
Improved SNR vs. HI ¹⁾	>12dB
Compatibility	Streamer 1.4 or later
AutoConnect (range)	Yes (15 meters)
Auto shut off	After 30 mins not in use
Transmission range	15 meters typically
Sound delay ²⁾	< 25 ms
Audio bandwidth	200 Hz - 3.5 kHz
Indicators	Green when powered on. Orange when connected.
Color	Black, high gloss
Operating temperature	10 - 45 °C
Operating humidity	Relative humidity < 85%
Storage temperature	-20 - 70 °C

¹⁾ Measured as the improved SNR when comparing ConnectLine Microphone to Hearing Instruments alone at 2 meters distance and 72 dB noise level.

²⁾ Measured as the difference between ConnectLine Microphone streamed signal and direct transmitted signal to the output (Hearing Instrument Receivers) at 10 meters distance.

Genie and ConnectLine Microphone

The Genie fitting software allows for fine-tuning of ConnectLine parameters, e.g., the level of the Streamed signal from the ConnectLine Microphone. Specifically for ConnectLine Microphone, it is recommended to disable Music Widening and Power Bass to secure optimal reproduction of speech cues. Please note that fine-tuning possibilities can vary depending on the actual hearing instrument(s).

ConnectLine Microphone requires Streamer 1.4 or later. Existing Streamers can be upgraded through the Genie fitting software. Please refer to the Genie fitting software for more details (Genie version 2011.1 or later).